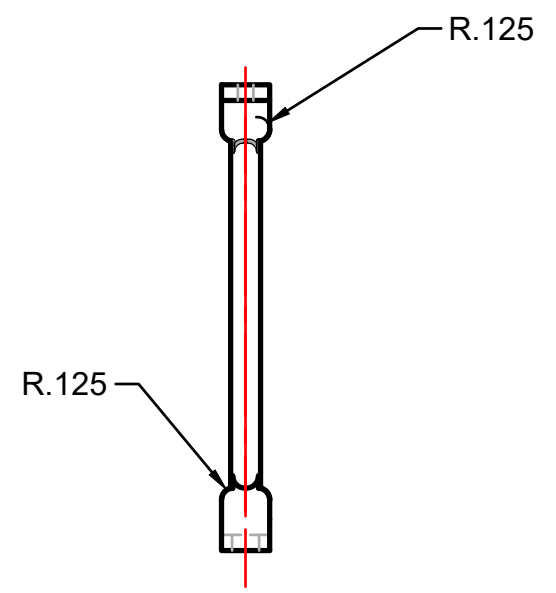
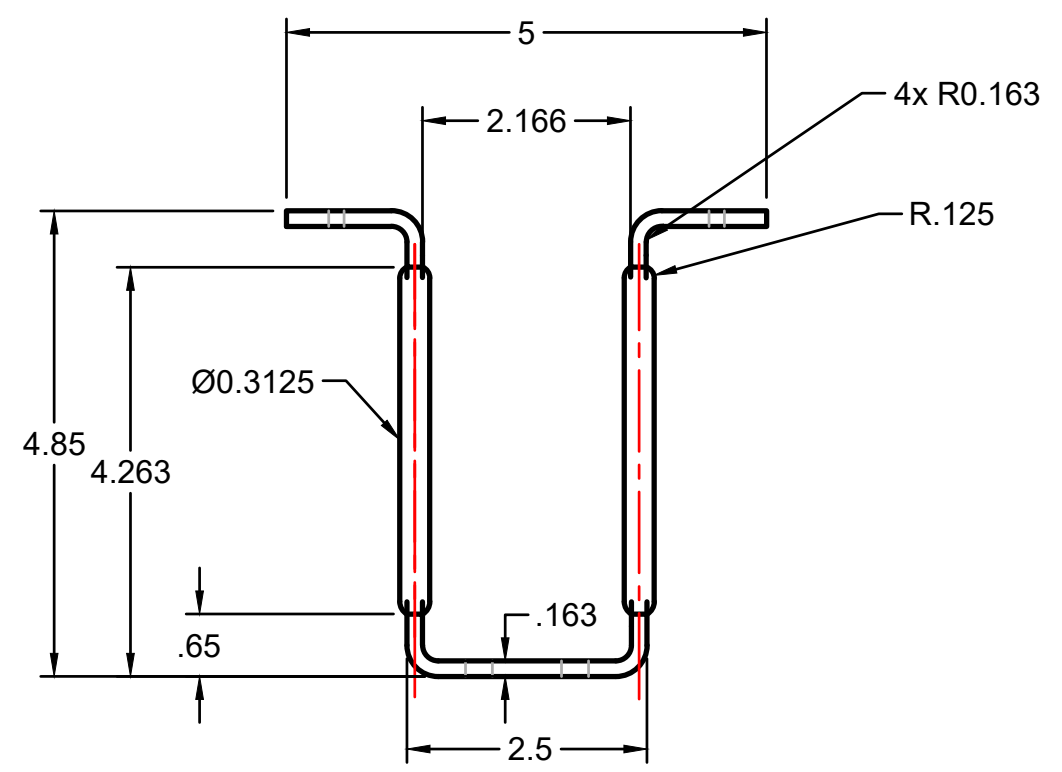
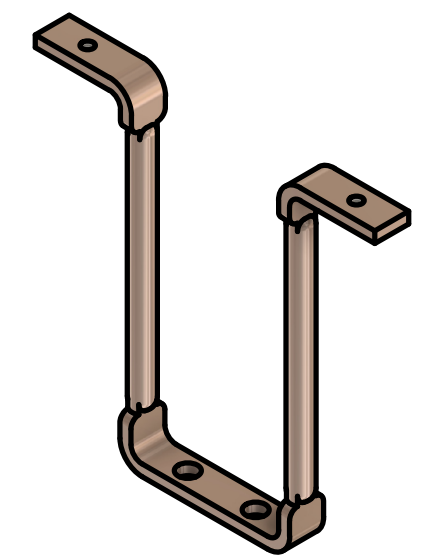


NOTES

ALL FLAT SECTIONS TO BE DIE-PRESSED/SWAGED FROM Ø0.3125" NOMINAL COPPER ROD.




DIMENSIONS TAKEN FROM EXISTING COMPONENT.
 VERIFY CRITICAL DIMENSIONS BEFORE MANUFACTURING.
 DRAWING CREATED FROM MEASUREMENTS OF EXISTING PART.
 DESIGN INTENT AND FUNCTION NOT VERIFIED.
 MANUFACTURER RESPONSIBLE FOR FINAL FIT AND FUNCTION.

Material: Copper DIA. 0.3125
 Units: Inches

BREAK ALL SHARP EDGES
 .005 – .010

UNLESS OTHERWISE SPECIFIED:
 .X ±0.030
 .XX ±0.010
 .XXX ±0.005
 ANGLES ±1°

		PROJECT			
		Legacy Equipment Parts			
APPROVED CHECKED		TITLE		REV	
		SIZE	CODE	DWG NO	1
DRAWN Cody Nolan		SCALE 1:2	WEIGHT	SHEET 1/1	