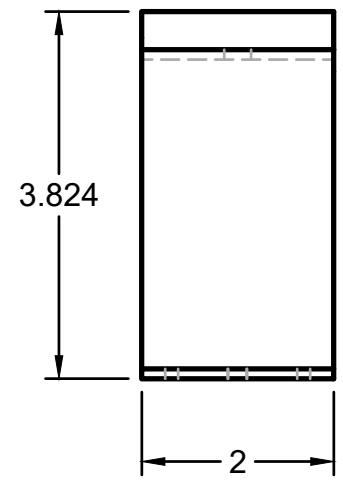
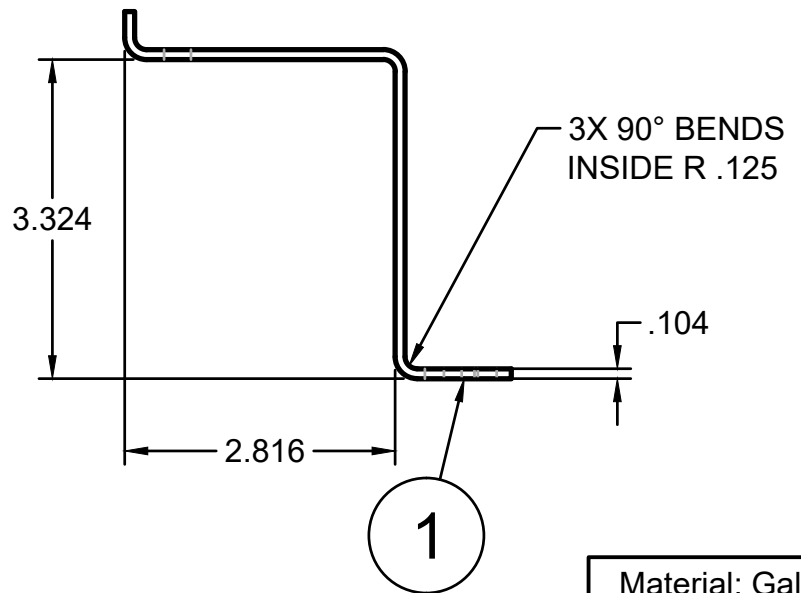
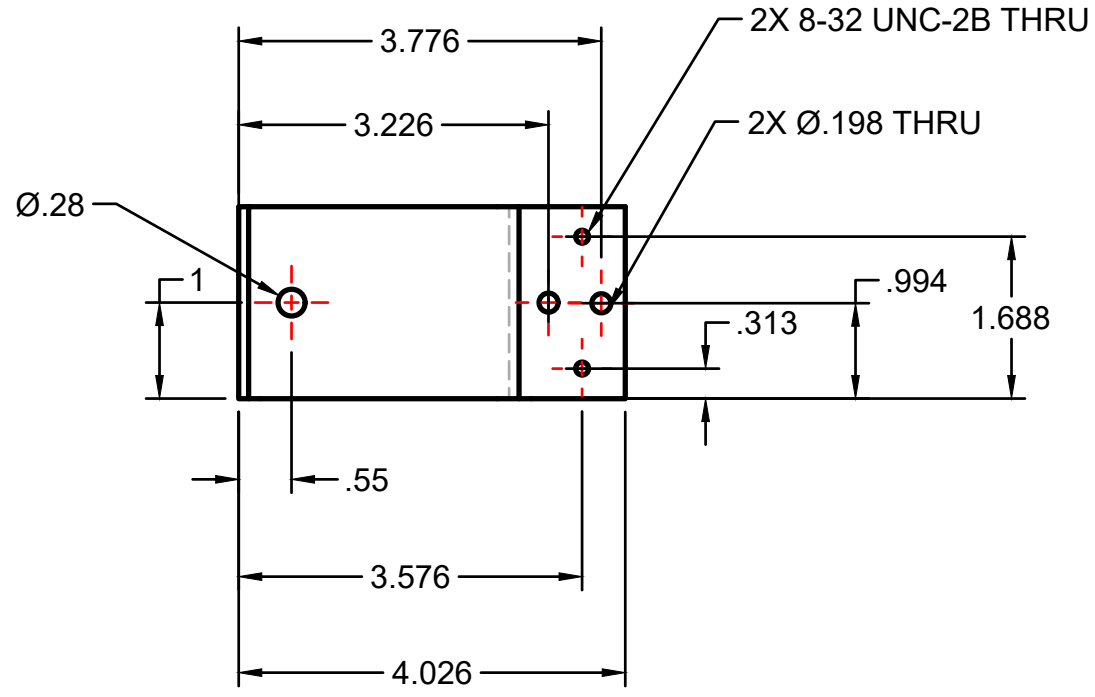


PARTS LIST			
ITEM	QTY	PART NUMBER	MATERIAL
1	1	2026-03-14-20-52-29-188	STEEL, GALVANIZED




DIMENSIONS TAKEN FROM EXISTING COMPONENT.
 VERIFY CRITICAL DIMENSIONS BEFORE MANUFACTURING.
 DRAWING CREATED FROM MEASUREMENTS OF EXISTING PART.
 DESIGN INTENT AND FUNCTION NOT VERIFIED.
 MANUFACTURER RESPONSIBLE FOR FINAL FIT AND FUNCTION.

Material: Galvanized 12GA
 Units: Inches

BREAK ALL SHARP EDGES
 .005 – .010

UNLESS OTHERWISE SPECIFIED:
 .X ± 0.030
 .XX ± 0.010
 .XXX ± 0.005
 ANGLES $\pm 1^\circ$

 <p>ELEVATED MACHINERY <small>AUTOMATED MACHINERY REPAIR AND INSTALLATION</small></p>		PROJECT		
		<h2>Legacy Equipment Parts</h2>		
APPROVED		SIZE	CODE	DWG NO
CHECKED		B		
DRAWN Cody Nolan		SCALE 1:2		WEIGHT
				SHEET 1/2
				REV 1