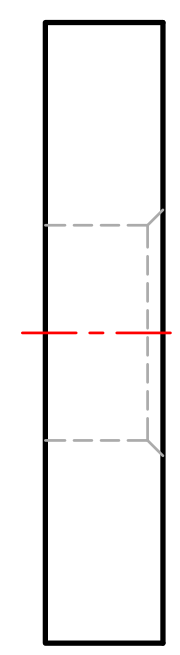
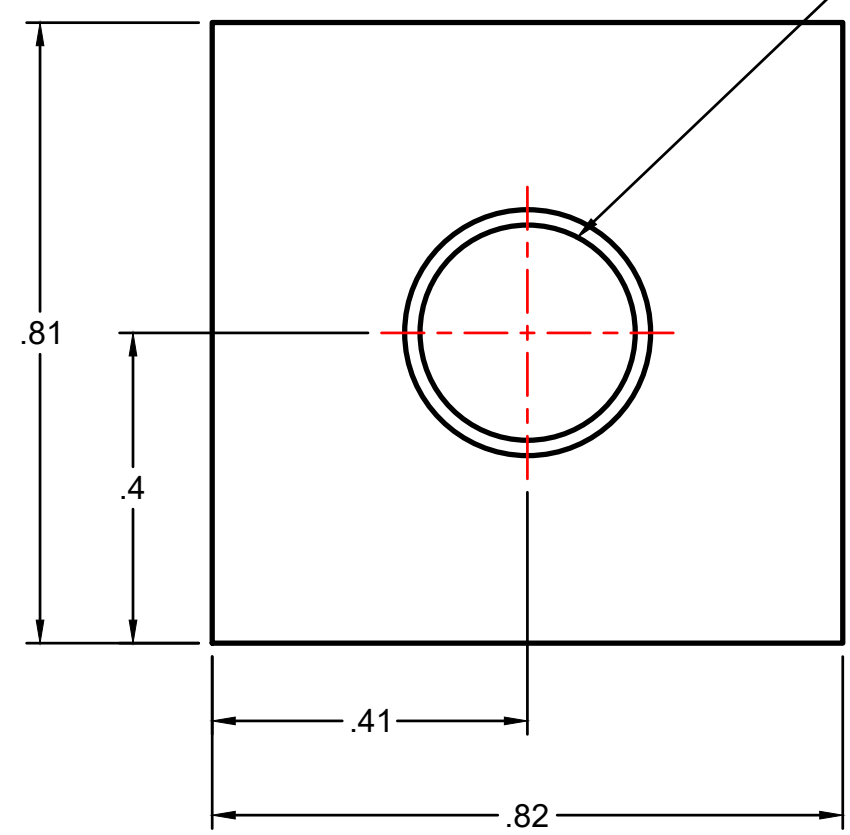


Ø0.28 THRU  
0.02 × 45° CHAMFER



DIMENSIONS TAKEN FROM EXISTING COMPONENT.  
 VERIFY CRITICAL DIMENSIONS BEFORE MANUFACTURING.  
 DRAWING CREATED FROM MEASUREMENTS OF EXISTING PART.  
 DESIGN INTENT AND FUNCTION NOT VERIFIED.  
 MANUFACTURER RESPONSIBLE FOR FINAL FIT AND FUNCTION.

Material: Aluminum 6061  
 Units: Inches  
 BREAK ALL SHARP EDGES  
 .005 – .010  
 UNLESS OTHERWISE SPECIFIED:  
 .X ±0.030  
 .XX ±0.010  
 .XXX ±0.005  
 ANGLES ±1°

APPROVED \_\_\_\_\_  
 CHECKED \_\_\_\_\_  
 DRAWN Cody Nolan

PROJECT			
Legacy Equipment Parts			
TITLE			
SIZE	CODE	DWG NO	REV
B			1
SCALE 4:1 (From parent)		WEIGHT	SHEET 1/1